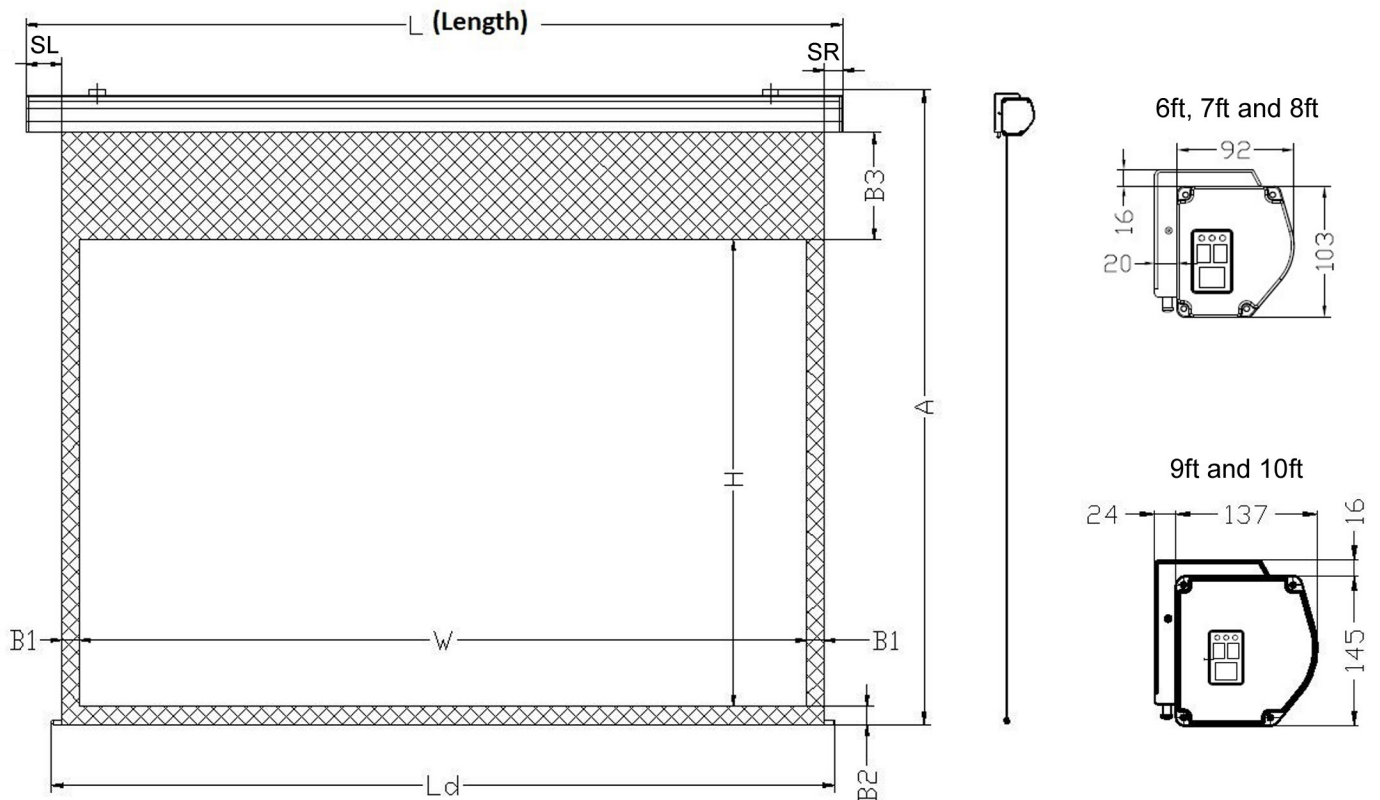


Electric Home Theatre 16:9



| | 6FT | 7FT | 8FT | 9FT | 10FT |
|-------------------------|------------|------------|-------------|-------------|-------------|
| Diagonal Picture | 77" | 92" | 106" | 120" | 138" |
| W (mm) | 1704 | 2030 | 2340 | 2656 | 3048 |
| H (mm) | 958 | 1145 | 1320 | 1494 | 1715 |
| B1 (mm) | 50 | 50 | 50 | 50 | 50 |
| B2 (mm) | 50 | 50 | 50 | 80 | 80 |
| B3 (mm) | 850 | 650 | 500 | 400 | 300 |
| SL (mm) | 100 | 100 | 100 | 87 | 87 |
| SR (mm) | 50 | 50 | 50 | 87 | 87 |
| Ld (mm) | 1819 | 2145 | 2449 | 2796 | 3188 |
| L (mm) | 1954 | 2280 | 2584 | 2924 | 3316 |
| Box Length (mm) | 2290 | 2591 | 2895 | 3217 | 3740 |

End cap on the left hand side contains the following:
12 volt trigger (3.5mm mono mini jack), External IR,
RS232, Manual control. IR eye front of case.

L-shape bracket can fix to the wall or ceiling and lock anywhere across the length of the case.

